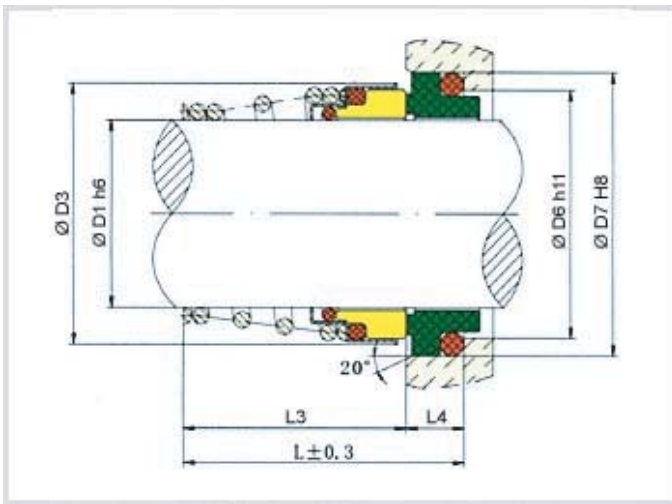




Mechanical seal

Used in clean water pumps, circulation pumps.

ZY-155



Mechanical seal structure ZY-155

Temperature	-20 °C ~ +100 °C	
Pressure	≤ 0.7 Mpa	
Speed	≤ 13 m/sec	
Materials	Stationary Ring:	Ceramic/SiC/TC
	Rotary Ring:	Carbon/SiC/TC
	Secondary Seal:	NBR/EPDM/VITON
	Spring & Other Parts:	SUS304/SUS316

модель	D1	D3	D6	D7	L	L3	L4
ZY155-10	10	20	14	18.1	20.5	15	5.5
ZY155-11	11	22	16.5	20.6	23.5	18	5.5
ZY155-12	12	22	16.5	20.6	23.5	18	5.5
ZY155-13	13	25	19	23.1	28	22	6
ZY155-14	14	25	19	23.1	28	22	6
ZY155-15	15	29	21	26.9	29	22	7
ZY155-16	16	29	21	26.9	29	22	7
ZY155-17	17	29	21	26.9	29	22	7
ZY155-18	18	33	25	30.9	32	24	8
ZY155-19	19	33	25	30.9	33	25	8
ZY155-20	20	33	25	30.9	33	25	8
ZY155-21	21	38	30	35.4	33	25	8
ZY155-22	22	38	30	35.4	33	25	8
ZY155-23	23	38	30	35.4	35	27	8
ZY155-24	24	38	30	35.4	35	27	8
ZY155-25	25	40	33	38.2	35.5	27	8.5
ZY155-28	28	46	38	43.3	38	29	9
ZY155-29	29	46	38	43.3	39	30	9
ZY155-30	30	46	38	43.3	39	30	9
ZY155-32	32	46	38	43.3	39	29	9
ZY155-33	33	48	45	53.5	50	39	11.5
ZY155-35	35	50	45	53.5	50	39	11.5
ZY155-38	38	58	52	60.5	50	39	11.5
ZY155-40	40	58	52	60.5	50	39	11.5