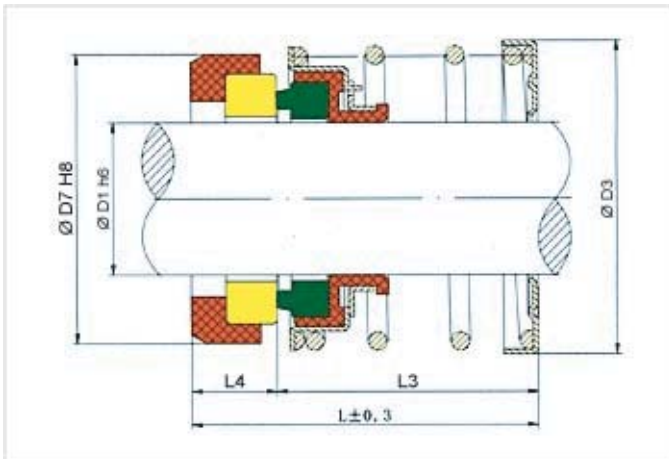




Mechanical seal

Used in general industrial pumps and submersible pumps

ZY-70



Mechanical seal structure ZY-70

Temperature	-20 °C ~ +100 °C	
Pressure	≤ 0.7 Mpa	
Speed	≤ 5 m/sec	
Materials	Stationary Ring:	Ceramic/SiC/TC
	Rotary Ring:	Carbon/SiC/TC
	Secondary Seal:	NBR/EPDM/VITON
	Spring & Other parts:	SUS304/SUS316

модель	D1	D3	D7	L1	L3	L4
ZY70-15	15	32	29.5	32	24	8
ZY70-16	16	32	29.5	32	24	8