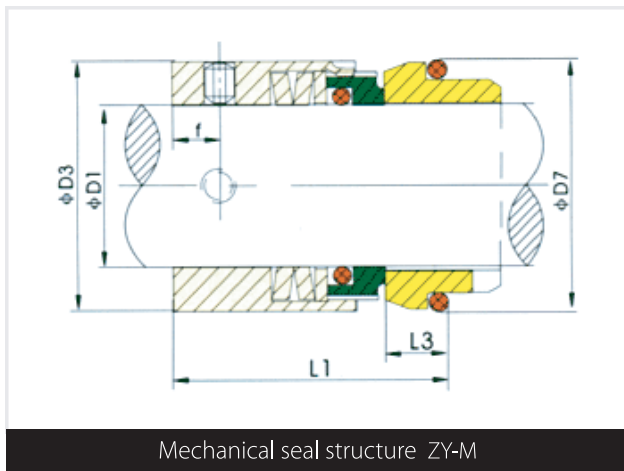




Mechanical seal

ZY-M



Mechanical seal structure ZY-M

Temperature	-30 °C ~ +200 °C	
Pressure	≤ 1.6 Mpa	
Speed	≤ 23 m/sec	
Materials	Stationary Ring:	Carbon/SIC/TC
	Secondary seal:	NBR/EPDM/VITON
	Spring & Other parts:	Copper/S.S

модель	D1	D3	D7	L1	L3	f
ZYM-14	14	25	25	35	10	6
ZYM-16	16	27	27	35	10	6
ZYM-18	18	33	33	37.5	11.5	7
ZYM-20	20	35	35	37.5	11.5	7
ZYM-22	22	37	37	37.5	11.5	7
ZYM-24	24	39	39	40	11.5	8
ZYM-25	25	40	40	40	11.5	8
ZYM-28	28	43	43	42.5	11.5	8
ZYM-30	30	45	45	42.5	11.5	8
ZYM-32	32	47	48	42.5	11.5	8
ZYM-33	33	48	48	42.5	11.5	8
ZYM-35	35	50	50	42.5	11.5	8
ZYM-38	38	55	56	45	14	8
ZYM-40	40	57	58	45	14	8
ZYM-43	43	60	61	45	14	8
ZYM-45	45	62	63	45	14	8
ZYM-48	48	65	66	45	14	8
ZYM-50	50	67	70	47.5	15	8
ZYM-53	53	70	73	47.5	15	8
ZYM-55	55	72	75	47.5	15	8
ZYM-58	58	79	78	52.5	15	9
ZYM-60	60	81	80	52.5	15	9
ZYM-63	63	84	83	52.5	15	9
ZYM-65	65	86	85	52.5	15	9
ZYM-68	68	89	90	52.5	18	9
ZYM-70	70	91	92	60	18	9
ZYM-75	75	99	97	60	18	10
ZYM-80	80	104	105	60	18.2	10
ZYM-85	85	109	110	60	18.2	10
ZYM-90	90	114	115	65	18.2	10
ZYM-95	95	119	120	65	19.2	10
ZYM-100	100	124	125	65	19.2	10